



Groundsmaster® 1200

PULL-BEHIND ROTARY MOWER

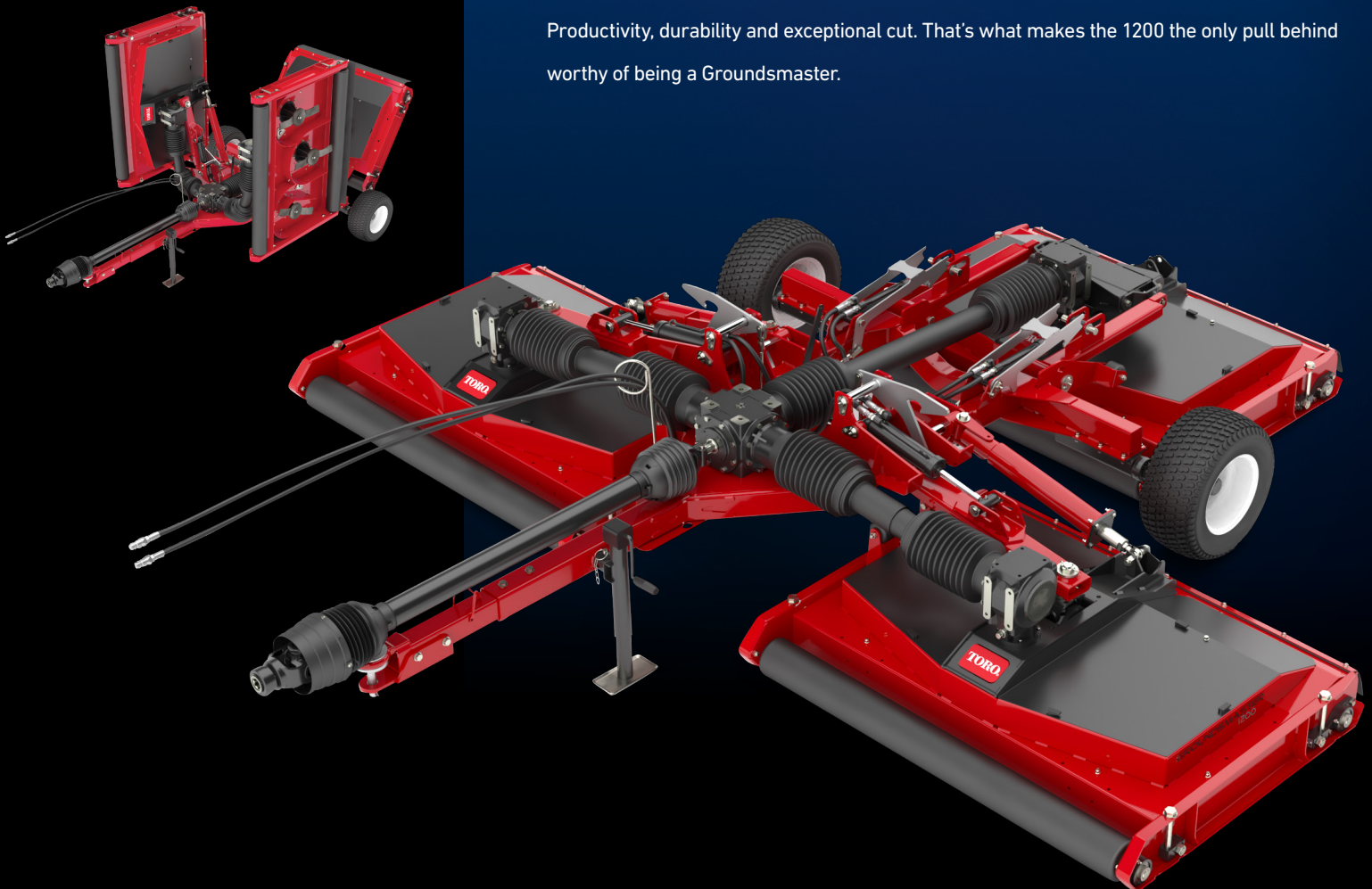
F E A T U R E S

- Width of cut: 12 feet (3.7 meters)
- Three independent, fully articulating decks
- Height of cut: 0.5" to 4.0" (1.3 cm to 10.2 cm)
- Wing decks fold up for quick transport
- Compatible with Outcross® 9060 and minimum 35 PTO horsepower (32.6 kW) tractors

The Only Pull-Behind Worthy of Being a Groundsmaster

The Groundsmaster 1200 delivers an unparalleled combination of productivity, durability and superior cut. It features a 12 foot (3.7 meters) width of cut and can mow up to 9.8 acres (4 hectares) per hour. Remaining true to Groundsmaster's unmatched reputation of durability, the 1200 was designed for years of reliable mowing. Its spindles are the same as Toro's large rotaries and capable of withstanding the roughest conditions. The bi-directional impact resistant system provides additional protection to the wing decks. Don't let its productivity and robust design fool you; the Groundsmaster 1200's independently articulating decks hug undulations for an exceptional finish. Combine this with the dual roller design, the Groundsmaster 1200 delivers a high quality cut and rich turf striping in most conditions.

Productivity, durability and exceptional cut. That's what makes the 1200 the only pull behind worthy of being a Groundsmaster.



Groundsmaster® 1200 Specifications

GROUNDMASTER 1200 - MODEL 31905	
WIDTH OF CUT	Overall: 12 feet (365 cm), Individual deck: 54" (137 cm), Overlap: 9" (23 cm)
MOWING RATE	Mows up to 8.73 acres/h (3.53 hectares/h) at 6 mph (9.7 km/h), assumes no overlap or stops
CONSTRUCTION	10-gauge high strength steel constructed deck with 7-gauge bolt-in reinforcements. 7-gauge welded steel side skids with 5" (12.7 cm) diameter steel rollers.
DECK DRIVE	PTO drive-shaft drives 4-way gearbox, secondary drive-shafts drive individual deck gearboxes, spindles belt driven with spring tensioner pulley. Main drive-shaft fits standard 1-3/8" (3.5 cm), 6-spline tractor PTO and contains 80 deg CV joint. Deck gearbox contains over-running clutch.
HEIGHT OF CUT	0.5" to 4.0" (1.3 cm to 10.2 cm) infinitely variable
SPINDLES	1.25" (3.17 cm) diameter spindle shafts, 9" (22.9 cm) diameter conical ductile iron housing and two greaseable tapered roller bearings. Driven counter-clockwise when viewed from the top.
BLADES	9 blades, 19" (48.3 cm) long, 2.5" (6.4 cm) wide, 0.25" (6.4 mm) thick
GROUND FOLLOWING	9 anti-scalp cups, one on each blade, two anti-scalp/stripping rollers on each deck. On each deck: two 5" (12.7 cm) diameter roller
WING PROTECTION	Bi-directional, impact absorption damper on each wing deck
OVERALL DIMENSIONS	Transport Height: 75.75" (192.4 cm) Transport Length: 145.5" (369.6 cm) (Hitch fully extended) Width: (decks down): 149.8" (380.5 cm) Transport Width: 86" (218.4 cm) at 1/2" (1.27 cm) HOC
POWER REQUIREMENTS	Minimum 35 HP (32.6 kW) at the PTO, 540 RPM
BLADE TIP SPEED	15,000 ± 300 ft/min (4572 ± 91.4 m/min) at 540 PTO RPM
TIRES	20 X 10 - 10 6-ply K500 turf tread
WEIGHTS	Total weight = 2,984 lbs (1354 kg), Tongue Weight in Transport = 691 lbs (313 kg)
ACCESSORIES	Roller scraper kit, standard blade kit, high-lift blade kit, safety chain kit.
WARRANTY	Two-year limited warranty. Refer to the Operator's Manual for further details.
CERTIFICATION	Complies with American National Standards Institute (ANSI B71.4-2012)

*Specifications and design subject to change without notice. Products depicted in this literature are for demonstration purposes only.
Actual products offered for sale may vary in use, design, required attachments and safety features. See distributor for details on all warranties.

